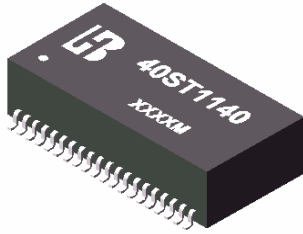


10/100 BASE-TX TRANSFORMER MOSULES FOR AUTO MDI/MDIX APPLICATIONS

P/N: 40ST1140 DATA SHEET

Page :1/1

Feature

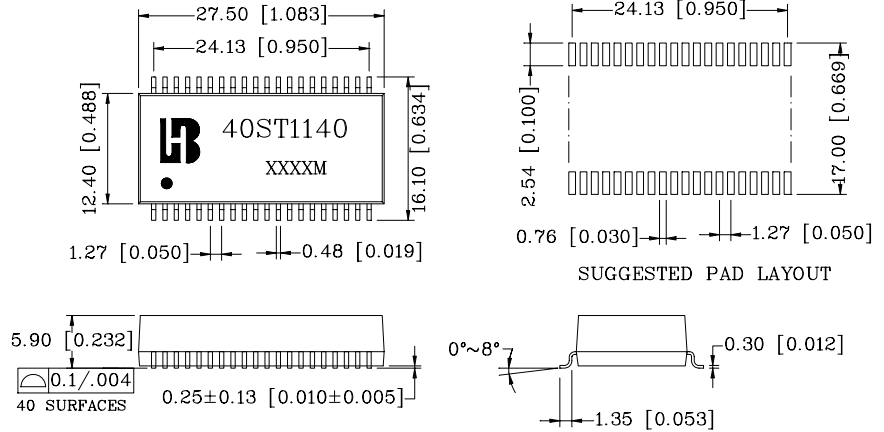
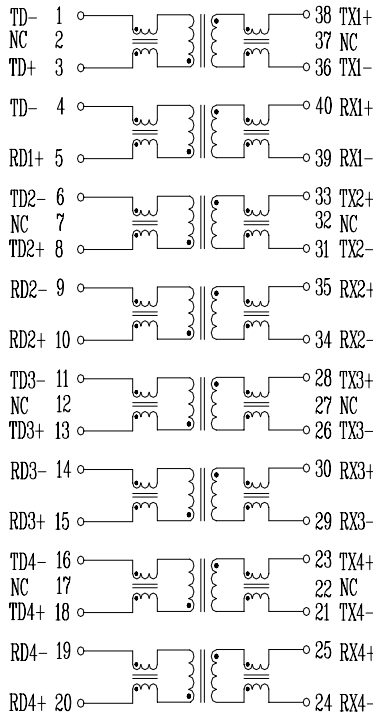


- Symmetrical TX and RX channels for auto MDI/MDIX capability.
- Approved for use with the Broadcom BCM5226 and Level One LXT9784.
- Compliant with IEEE 802.3u and ANSI X 3.263 standards including 350 uH OCL with 8 mA bias.
- Designed for reflow soldering at temperatures up to 235°C.
- Operating Temperature range: 0°C to +85°C.
- Storage temperature range: -25°C to +125°C.

Electrical Specifications @ 25°C								
Part Number	Turns Ratio (±5%)		OCL (μH Min) @100KHz/0.1Vrms 8mA DC/Bias	Insertion Loss (dB Max) 0.1-100MHz	Return Loss (dB Min)			HI-POT (Min Vrms)
	TX	RX			2-3MHz	40MHz	50MHz	
40ST1140	1:1	1:1	350	-1.0	-18	-14.4	-13.1	-12
Continue								
Part Number	Cross talk (dB Min)		DCMR (dB Min)			HI-POT (Min Vrms)		
	0.3-60MHz	60-100MHz	60MHz	100 MHz	200 MHz			
40ST1140	-45	-35	-40	-33	-25	1500		

Schematic

Mechanical



Units: mm[Inches] Tolerance: xx.x0±0.25[0.010]
0.xx±0.05[0.002]